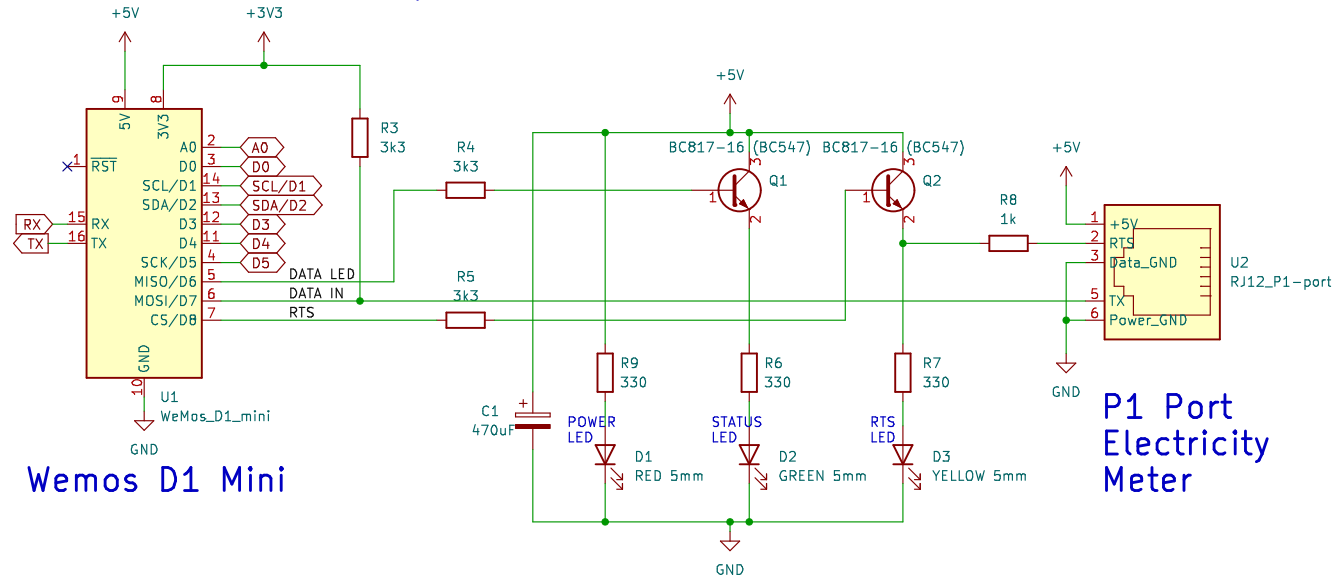


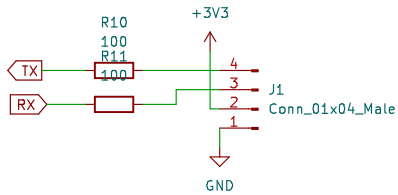
P1-port Reader – Wemos D1 Mini



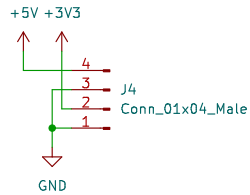
Wemos D1 Mini

P1 Port Electricity Meter

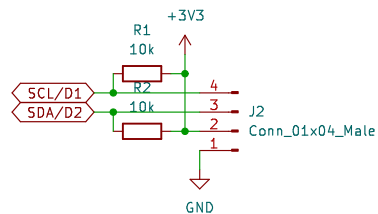
Serial Connector



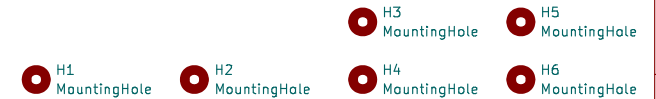
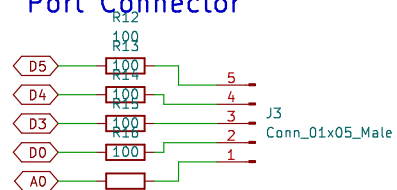
Power Connector



I2C Connector



Port Connector



© Hazze Molin

Sheet: /

File: P1_port_reader Wemos D1 Mini.kicad_sch

Title: P1-port Reader – Wemos D1 Mini

Size: A4

Date: 2023-06-28

Rev: 1.7

KiCad E.D.A. kicad 6.0.2+dfsg-1

Id: 1/1